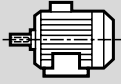
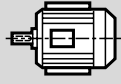
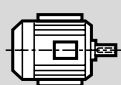
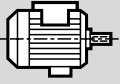




MOUNTING ARRANGEMENTS

Foot mounted motors

<p>IM 1001 (IM B3) - Horizontal shaft - Feet on floor</p>	
<p>IM 1051 (IM B6) - Horizontal shaft - Foot wall mounted with - feet on left hand side - when viewed from drive end</p>	
<p>IM 1061 (IM B7) - Horizontal shaft - Foot wall mounted with - feet on right hand side - when viewed from drive end</p>	

<p>IM 1071 (IM B8) - Horizontal shaft - Feet on ceiling</p>	
<p>IM 1011 (IM V5) - Vertical shaft facing down - Feet on wall</p>	
<p>IM 1031 (IM V6) - Vertical shaft facing up - Feet on wall</p>	

TYPE A


TYPE B


**Flange mounted motors
(Type A)**


<p>IM 3001 (IM B5) - Horizontal shaft</p>	
---	--


<p>IM 2001 (IM B35) - Horizontal shaft - Feet on floor</p>	
---	---

**Foot-Cum Flange Mounted Motors
(Type B)**

<p>IM 3011 (IM V1) - Vertical shaft facing down</p>	
---	---

<p>IM 2011 (IM V15) - Vertical shaft facing down - Feet on wall</p>	
--	--

<p>IM 3031 (IM V3) - Vertical shaft facing up</p>	
---	--

<p>IM 2031 (IM V36) - Vertical shaft facing up - Feet on wall</p>	
--	---

TYPE A


TYPE B


**Face mounted motors
(Type A)**


<p>IM 3601 (IM B14) - Horizontal shaft</p>	
--	--


<p>IM 2031 (IM B34) - Horizontal shaft - Feet on floor</p>	
---	---

**Foot-Cum Flange Mounted Motors
(Type B)**

<p>IM 3611 (IM V18) - Vertical shaft facing down</p>	
--	--

<p>IM 2111 (IM V58) - Vertical shaft facing down - Feet on wall</p>	
--	---

<p>IM 3631 (IM V19) - Vertical shaft facing up</p>	
--	--

<p>IM 2131 (IM V69) - Vertical shaft facing up - Feet on wall</p>	
--	---