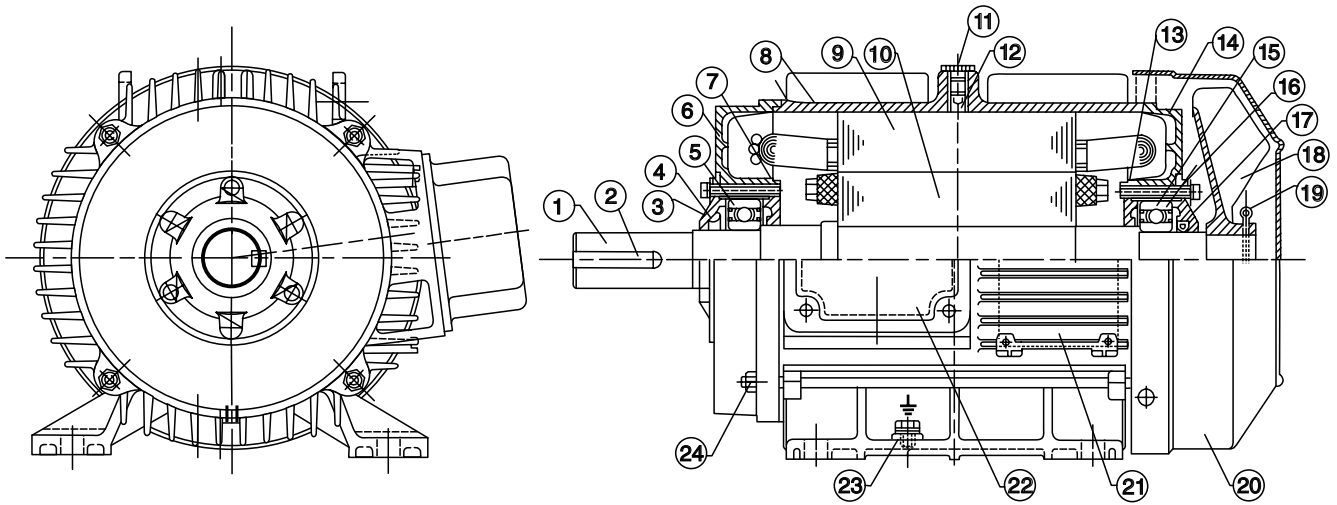


SECTIONAL VIEW OF HORIZONTAL MOTORS

FOOT MOUNTED MOTOR, FRAME PM 63 TO 160



Item No.	Description
1	Shaft
2	Extension key
3	Outside bearing cap DE
4	Oil seal DE
5	Ball bearing DE
6	Cover DE
7	Inside bearing cap DE
8	Body
9	Stator core
10	Rotor core
11	Polythene plug
12	Stator locking screw

Item No.	Description
13	Inside bearing cap NDE
14	Cover NDE
15	Ball bearing NDE
16	Outside bearing cap NDE
17	Oil seal NDE
18	Fan
19	Cotter pin
20	Fan cover
21	Rating plate
22	Terminal box assembly
23	Earthing screw
24	Cover fixing studs