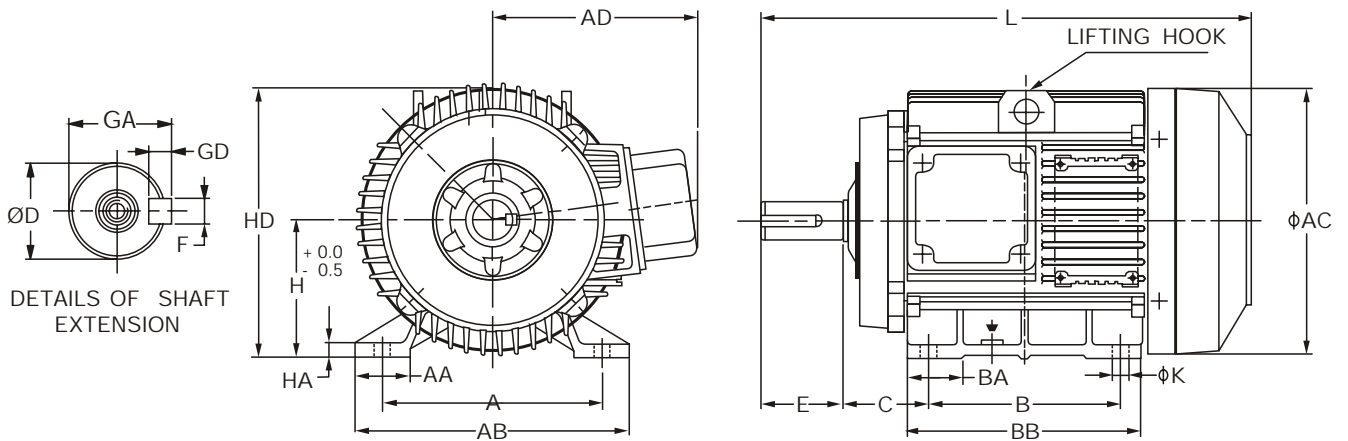


DIMENSIONAL DETAILS FOOT MOUNTED MOTOR, FRAME PM 63 TO 160



FRAME	A	B	C	ØD	E	F	H	ØK	L	AA	AB	ØAC	AD	BB	GA	GD	HA	HD	BA
PM 63	100	80	40	11j6	23	4h9	63	7x10 Uslot	210	25	125	123	105	96	12.5	4	8	124	23
PM 71	112	90	45	14j6	30	5h9	71		233	25	137	140	115	106	16.0	5	8	140	28
PM 80	125	100	50	19j6	40	6h9	80		270	30	155	156	128	120	21.5	6	10	158	30
PM 90S	140	100	56	24j6	50	8h9	90	10	293	35	175	176	138	120	27.0	7	10	178	30
PM 90L	140	125	56	24j6	50	8h9	90	10	318	35	175	176	138	145	27.0	7	10	178	30
PM 100L	160	140	63	28j6	60	8h9	100	12	360	40	200	193	152	170	31.0	7	10	197	40
PM 112M	190	140	70	28j6	60	8h9	112	12	385	40	230	218	170	180	31.0	7	10	221	40
PM 132S	216	140	89	38k6	80	10h9	132	12	442	40	256	260	190	180	41.0	8	12	262	40
PM 132M	216	178	89	38k6	80	10h9	132	12	480	40	256	260	190	218	41.0	8	12	262	40
PM 160M	254	210	108	42k6	110	12h9	160	15	596	60	314	310	250	270	45.0	8	14	315	60
PM 160L	254	254	108	42k6	110	12h9	160	15	640	60	314	310	250	314	45.0	8	14	315	60

Note : All dimensions are in millimeters.