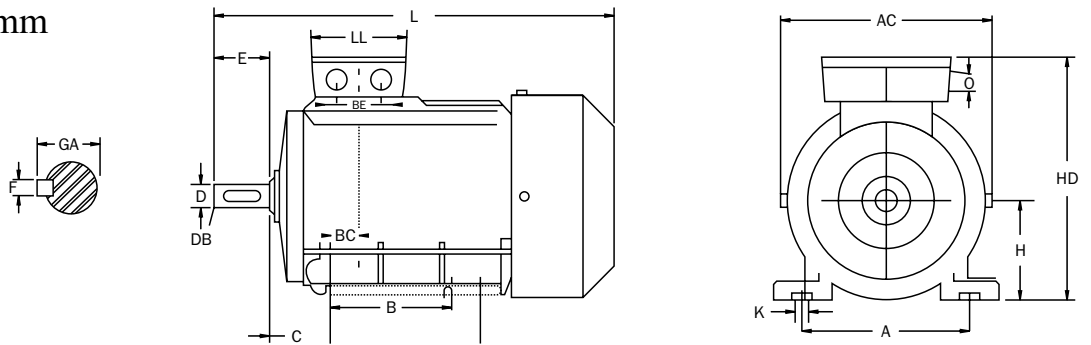


Dimensions in mm



Construction IM B3, IM B6, IM B7, IM B8, IM V5, IM V6

Frame Size	Type	A	AC	B	BC	BE	C	H	HD	K	L	LL	O
63	1LA2 060 1LA2 063	100	118	80	27	1)	40	63	158	7	205		1 x Pg 13.5
71	1LA7 070 1LA7 073	112	145	90	18.5		45	71	194	7	240	75	
80	1LA7 080 1LA7 083	125	162	100	13.5	32	50	80	200	10	274		1 x Pg 11 1 x Pg 16
90 S 90 L	1LA7 090 1LA7 096	140 140	181 181	100 125	26.5		56 56	90 90	218 218	10 10	332 332		
100 L	1LA7 106 1LA7 107	160	201	140	39		63	100	235	12	373	120	
112 M	1LA7 113	190	225	140	32		70	112	260	12	394	120	
132 S	1LA7 130 1LA7 131	216	266	140	39	42	89	132	299	12	454	140	2 x Pg 21
132 M	1LA7 133 1LA7 134	216	266	178	39		89	132	299	12	454	140	

Frame Size	Type	D	DB	E	F	GA
63	1LA2 060 1LA2 063	11	M4	23	4	12.5
71	1LA7 070 1LA7 073	14	M5	30	5	16
80	1LA7 080 1LA7 083	19	M6	40	6	21.5
90 S 90 L	1LA7 090 1LA7 096	24 24	M8	50 50	8 8	27 27
100 L	1LA7 106 1LA7 107	28	M10	60	8	31
112 M	1LA7 113	28	M10	60	8	31
132 S	1LA7 130 1LA7 131	38	M12	80	10	41
132 M	1LA7 133 1LA7 134	38	M12	80	10	41

1) Single Cable Entry