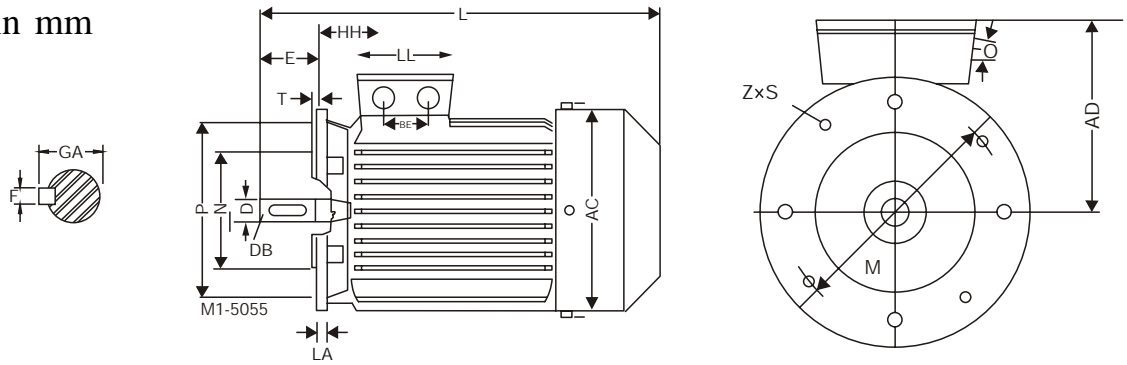


Dimensions in mm



Construction IM B5, IM V1, IM V3

Frame Size	Type	AC	AD	BE	HH	L	LA	LL	M	N	O	P	S	T	M	Z
63	1LA2 060 1LA2 063	118	95	1)	67	205	8		115	95	1 x Pg 13.5	140	10	3.5	115	4
71	1LA7 070 1LA7 073	145	111		63.5	240	8		130	110		160	9	3.5	130	4
80	1LA7 080 1LA7 083	162	120	32	63.5	274	10	75	165	130	1 x Pg 11	200	11	3.5	165	4
90 S 90 L	1LA7 090 1LA7 096	181	128		79.5	332	10		165	130	1 x Pg 16	200	11	3.5	165	4
100 L	1LA7 106 1LA7 107	199	135		102	373	11	120	215	180		250	14.5	4	215	4
112 M	1LA7 113	223	148	42	102	394	11	120	215	180	2 x PG 21	250	14.5	4	215	4
132 S	1LA7 130 1LA7 131	266	167		128	454	12	140	265	230		300	14.5	4	265	4
132 M	1LA7 133 1LA7 134	266	167		128	454	12	140	265	230		300	14.5	4	265	4

Frame Size	Type	D	DB	E	F	GA
63	1LA2 060 1LA2 063	11	M4	23	4	12.5
71	1LA7 070 1LA7 073	14	M5	30	5	16
80	1LA7 080 1LA7 083	19	M6	40	6	21.5
90 S 90 L	1LA7 090 1LA7 096	24 24	M8	50 50	8 8	27 27
100 L	1LA7 106 1LA7 107	28	M10	60	8	31
112 M	1LA7 113	28	M10	60	8	31
132 S	1LA7 130 1LA7 131	38	M12	80	10	41
132 M	1LA7 133 1LA7 134	38	M12	80	10	41

1) Single Cable Entry